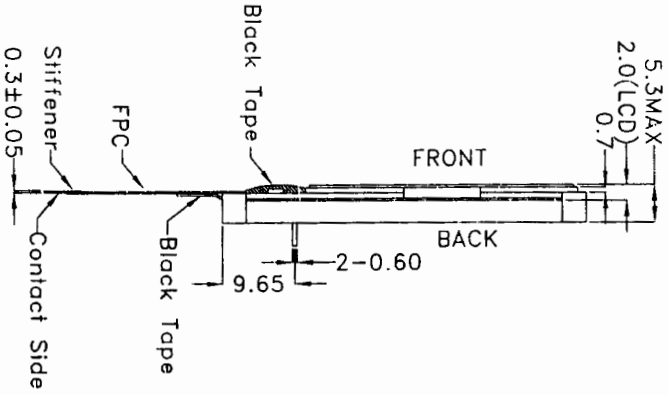
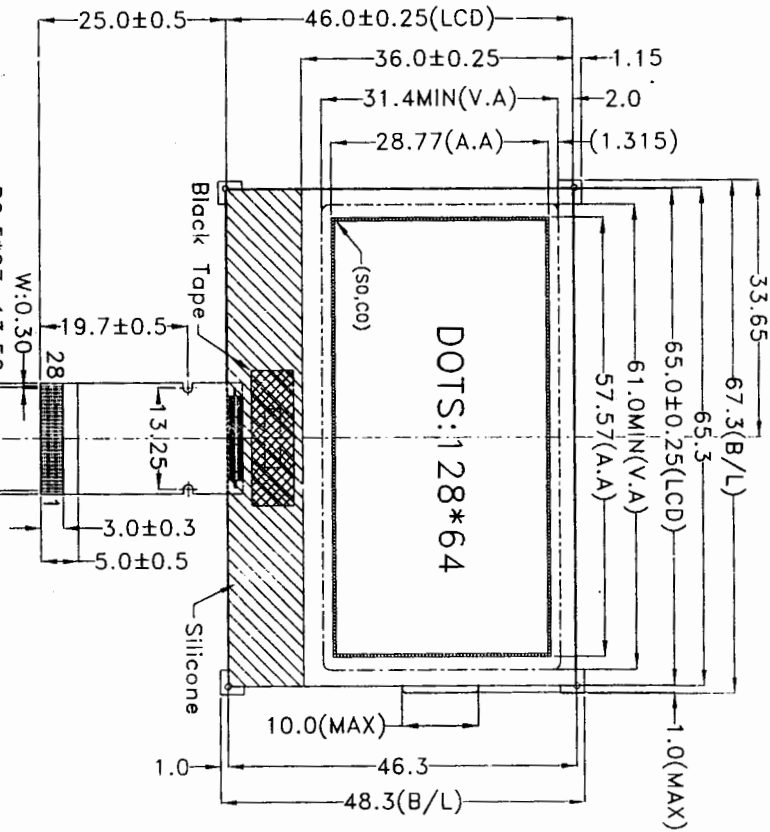


ISSUE	MODIFY DESCRIPTION	DATE
A	First Issue	08.06.06

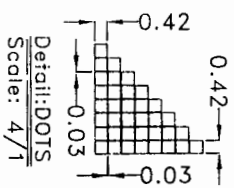


FPC ASSIGNMENT:

1	CS1	15	VSS
2	RESET	16	VOUT
3	RS	17	NC
4	RW	18	G3+
5	E	19	C1-
6	D0	20	C1+
7	D1	21	C2+
8	D2	22	C2-
9	D3	23	V4
10	D4	24	V3
11	D5	25	V2
12	D6/SCLK	26	V1
13	D7/SID	27	V0
14	VDD	28	PS

受控文件

Display Type	FSTN / TRANSFLECTIVE / POSITIVE
Display Resolution	128*64
Viewing Angle	6:00
Max. Ratio and Bias Level	1/64 DUTY, 1/9 BIAS
LCD Controller/Driver	ST7565R(COG)
Logic Voltage	3.3V
LCD Driving Voltage	TBD
Operation Temperature	-25° C TO 70° C
Storage Temperature	-35° C TO 80° C
Backlight Speciality	Side Backlight(WHITE:4pcs LED Dies)
Remark	



GEL LCD

ITEM NO:	Module Speciality		
TITLE:	M1877(T01)		
PROJECT NO:	JMK124H		
DESCRIPTION:	FFPL2WOOG-06-ST-NSC		
<>: Special characteristic ∇: Critical dimension +: Safety characteristic (...): Reference dimension Tolerance unless: x.x ± 0.3 Otherwise specified: x.xx ± 0.2			
THIRD ANGLE PROJECTION			
DRAWN	NAME	SIGN	DATE
CHECKED	Luo chui zhan	[Signature]	08.06.06
CHECKED	Lan li jian	[Signature]	08.06.06
CHECKED	Zhao qian qiao	[Signature]	08.11.06
APPROVED	Wang zhao cai	[Signature]	08.06.11
REV. A	UNIT: mm	SCALE: 1/1	SHEET: 1 OF 1