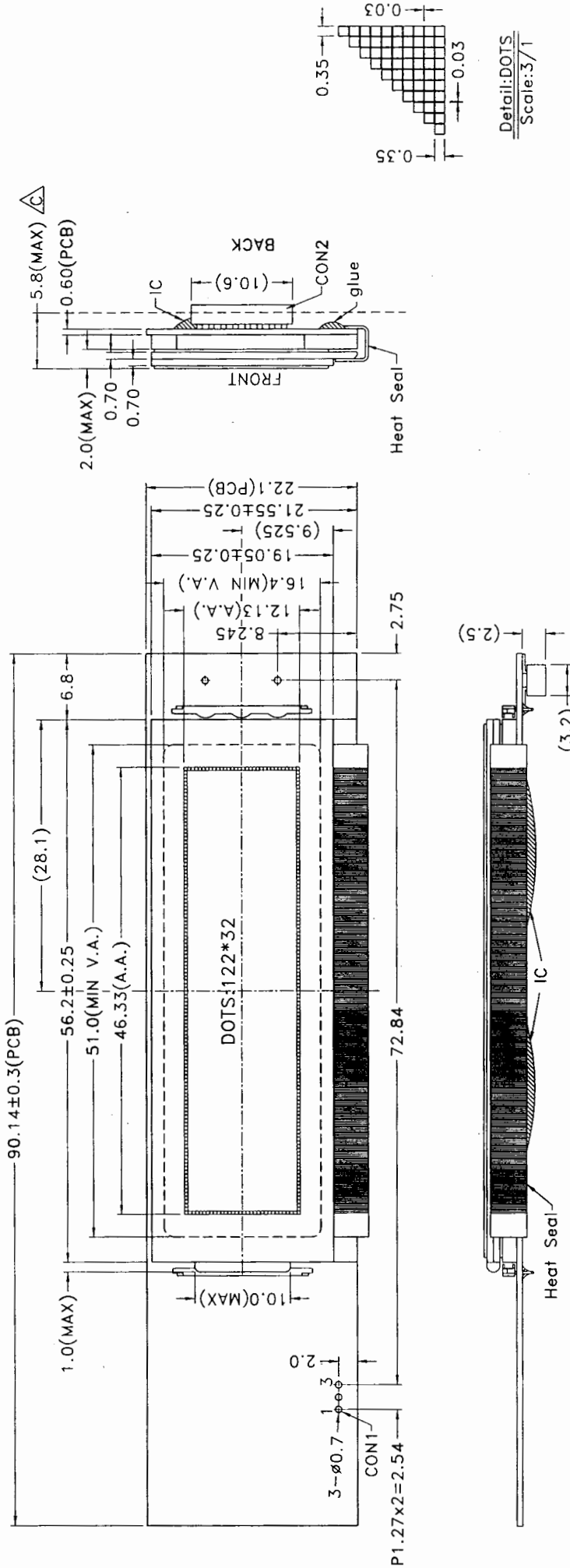


ISSUE	MODIFY DESCRIPTION	DATE
C	Modify LCD Module's MAX Whole thickness	08.10.21



受控文件

Display Type	STN(Y/G) / TRANSPARENT / POSITIVE
Display Resolution	122*32
Viewing Angle	6:00
Max. Ratio and Bias Level	1/32 DUTY, 1/7 BIAS
LCD Controller/Driver	SBN1661G_M18---2 pcs (COB)
Logic Voltage	5.0V
LCD Driving Voltage	TBD
Operation Temperature	-10° C TO 60° C
Storage Temperature	-20° C TO 70° C
Backlight Speciality	LED SIDE(Y/G), 4 PCS LED dies V _f =4.2V±0.3, I _f =20mA*2
Remark	

CON2 ASSIGNMENT

	VLED	9	DB1
1	VSS	10	DB2
2	VCC	11	DB3
3	V0	12	DB4
4	A0	13	DB5
5	E1	14	DB6
6	E2	15	DB7
7	DB0	16	R/W

CON1 ASSIGNMENT

1	GND
2	BL
3	CN1-8

TITLE:	Module Speciality	
ITEM NO:	M0558(B)	
PROJECT NO:	JCM12232E(JMK133)	
DESCRIPTION:	JCM12232ESFYHTC-06	
▽: Special characteristic	▽: Critical dimension	
+ : Safety characteristic	(...): Reference dimension	
Tolerance unless: x.±0.3 Otherwise specified: x.xx±0.2		
THIRD ANGLE PROJECTION		
NAME	SIGN	DATE
DRAWN	Zhang hui	08.10.21
CHECKED	Lan li juan	08.10.21
CHECKED	Xie dai zhou	08.10.21
APPROVED	Wang zhao cai	08.10.21
REV: C	UNIT: mm	SCALE: 1/1
		SHEET: 1 OF 1

GEI LCD