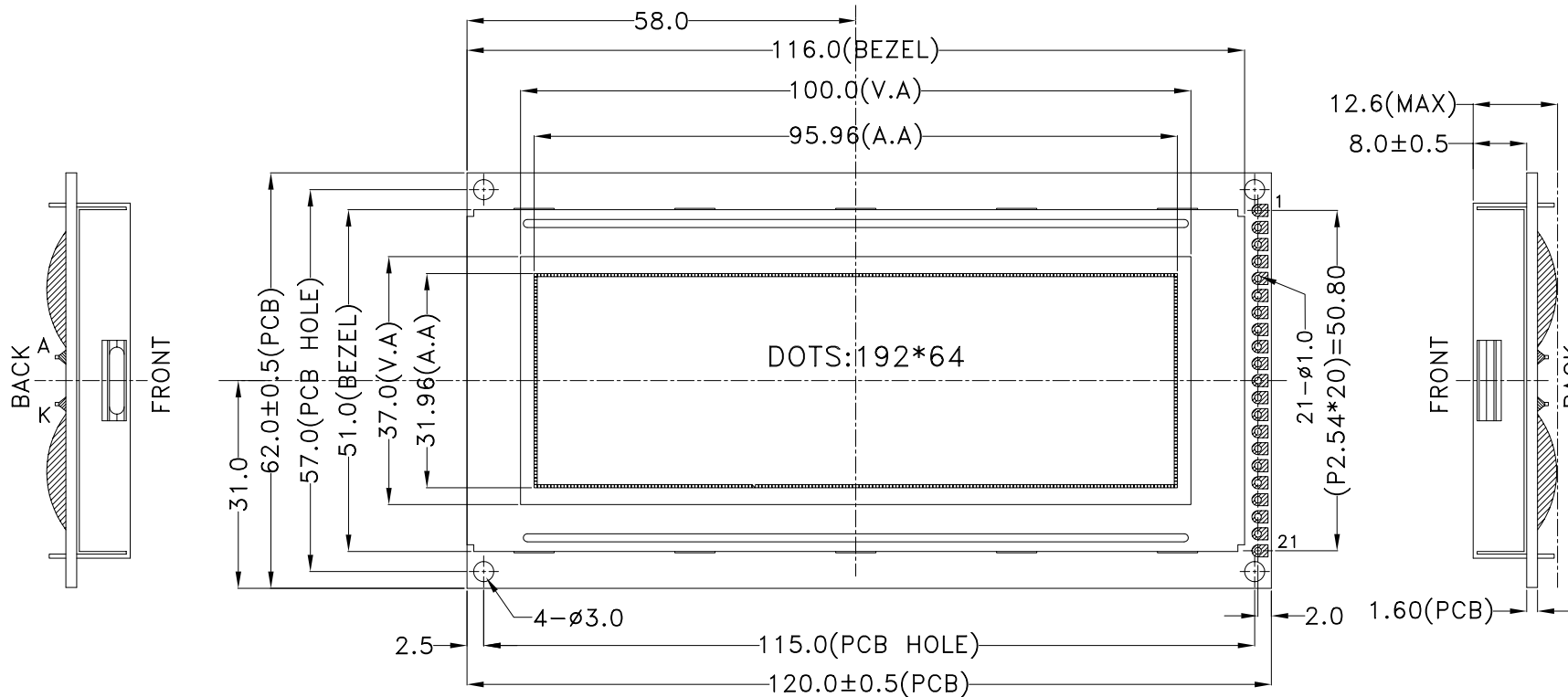
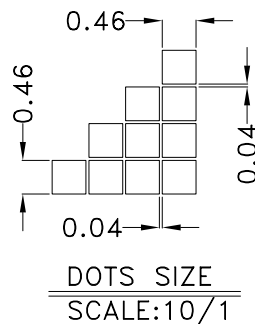


ISSUE	MODIFY DESCRIPTION	DATE
T01	First Issue	08.02.26



Quotation No: Q08011-1

Display Type	STN Y/G / TRANSFLECTIVE / POSITIVE
Display Resolution	DOTS:192*64
Viewing Angle	6:00
Max.Ratio and Bias Level	1/64 DUTY,1/9 BIAS
LCD Controller/Driver	CS0107+CS0108(COB)
Logic Voltage	5.0V
LCD Driving Voltage	TBD
Operation Temperature	-0° C TO 50° C
Storage Temperature	-10° C TO 60° C
Backlight Speciality	LED SIDE(Y/G), 40PCS LED dies Vf=4.1± 0.3V, If=200mA
Remark	



ASSIGNMENT:

PIN	SYMBOL	PIN	SYMBOL
1	VSS	12	D4
2	VDD	13	D5
3	V0	14	D6
4	VEE	15	D7
5	RS	16	CS1
6	R/W	17	CS2
7	E	18	CS3
8	D0	19	RES
9	D1	20	SLA
10	D2	21	SLK
11	D3		

ITEM NO:	Module Speciality		
TITLE:	M1803		
PROJECT NO:	JMK148I		
DESCRIPTION:	◇: Special characteristic ▽: Critical dimension +: Safety characteristic (...): Reference dimension Tolerance unless:x.x± 0.3 Other wise specified:x.xx± 0.2		
THIRD ANGLE PROJECTION			
	NAME	SIGN	DATE
DRAWN	Yin xiao lian		08.02.26
CHECKED	Huang xiang li		
CHECKED	Li hua ming		
APPROVED	Wang zhao cai		
REV: T01	UNIT: mm	SCALE:1/1	SHEET: 1 OF 2

GEI LCD