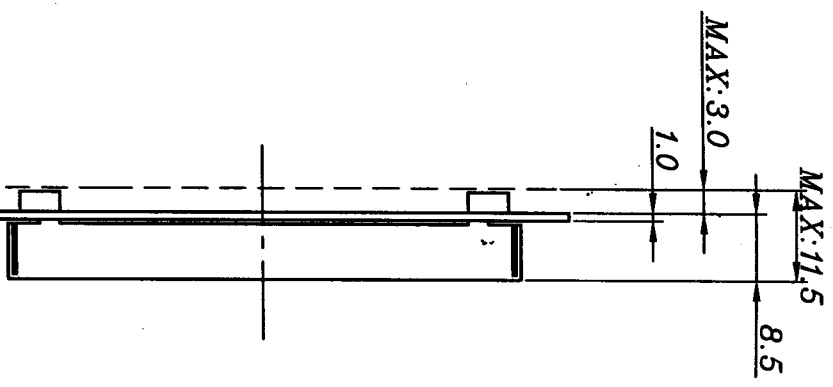


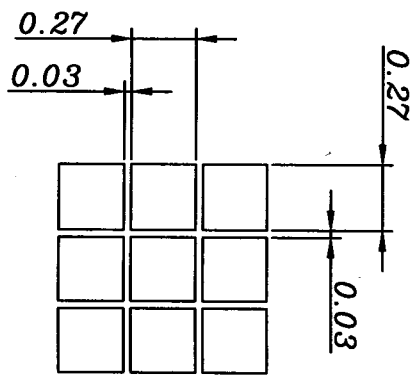
CONDUCTOR SIDE

STIFFENER



Pin description:

PIN	Desc.	PIN	Desc.
1	D7	10	/RD
2	D6	11	A0
3	D5	12	/RST
4	D4	13	/CS
5	D3	14	LED
6	D2	15	NC
7	D1	16	GND
8	D0	17	VCC
9	/WR	18	VEE



Dots detail: 生效

Unmarked tolerance: ± 0.3

MODULE		MODEL	
GEI LCD			
DRAWN BY: <i>W. S. 2006.2</i>	TYPE: <i>jc m. 240160 d</i>	SCALE:	
CHECKED BY: <i>W. S. 2006.2</i>	NUMBER: <i>mk82</i>	DIMS: <i>mm</i>	
APPROVED BY: <i>W. S. 2006.2</i>	DRAWING NO: <i>C-1</i>	SHEET	OF